

## ELITE SERIES

### Undermount 80/20 Double Bowl

Reversible

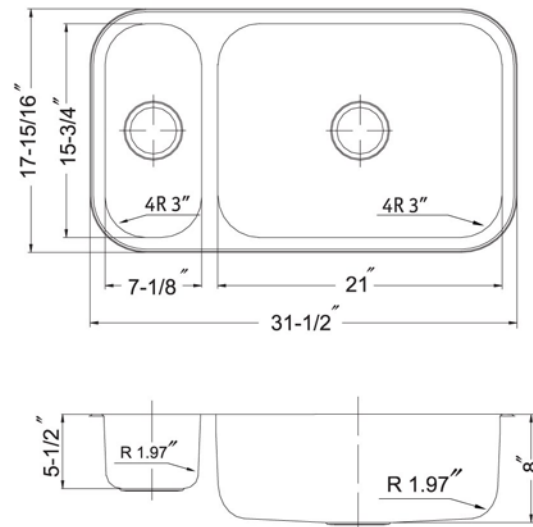


### FEATURES

- Premium grade T-304 stainless steel
- 5-1/2" & 8" depth • 20 gauge
- StoneGuard™ undercoating over Super-Silencer pad
- SpecPlus™ edge
- Lustrous satin with highlighted rim
- Fits 36" sink base • 3-1/2" drain opening
- Supplied with cutout template, fasteners and instructions
- Complies with ASME A112.19.3-2000, UPC®
- Lifetime Limited Warranty



ASME A112.19.3-2000



OVERALL DIMENSIONS	EACH BOWL	CUTOUT SIZE	PACKAGING*	WEIGHT*
31-1/2" x 17-15/16"	7-1/8" x 15-3/4" 21" x 15-3/4"	See Template	1/16/20 pcs.	17/310/320 lbs.

All dimensions are in inches. Specifications subject to change without notice.

### Installation profile

